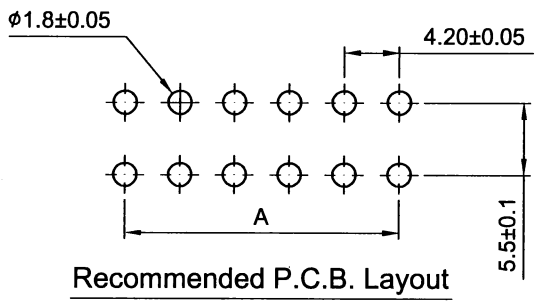
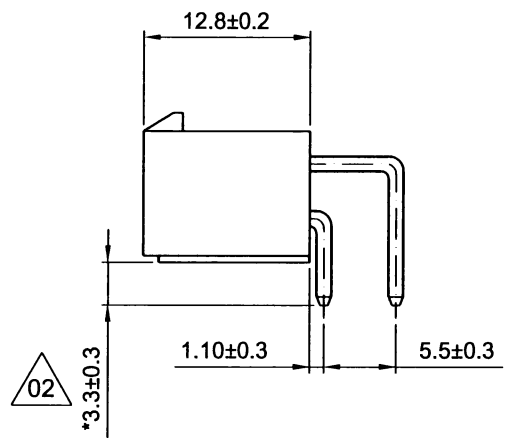
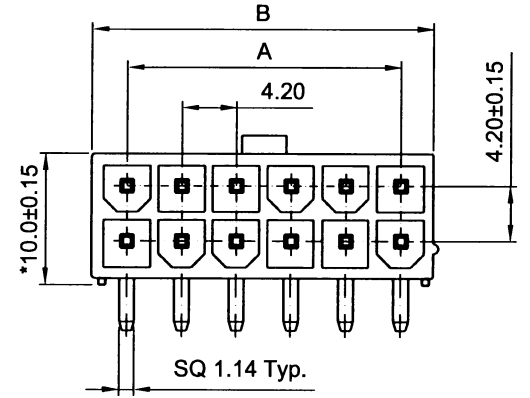
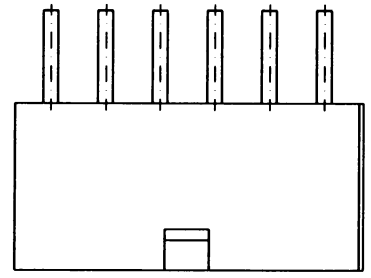


HSF
Compliant

REV.	DESCRIPTION	DATE	APPR.
02	修改尺寸與公差	2012/09/17	陳世官



Dim : A, B tolerance as following
 A, B尺寸公差如下：
 2 x 1p ~ 2 x 4p±0.20
 2 x 5p ~ 2 x 8p±0.30
 2 x 9p ~ 2 x 12p±0.40

Specifications
 Poles : 2 ~ 24
 Current & Voltage Rating : 7A & 250V AC, DC
 Insulation Resistance : 1000 MΩ min.
 Dielectric Withstanding : AC 1500V for 1 minute
 Operating Temperature : -25°C ~ +85°C
 Contact Material : 1.14mm square pin, Brass, Tin plated
 Insulator Material : Nylon-66, UL 94V-2 (White)
 Applicable PC Board Thickness : 1.6mm
 Packing : Bag

4420A-WR-xxT
 No. of contacts

No. of contacts	Dim. A	Dim B
02		5.2
04	4.20	9.4
06	8.40	13.6
08	12.60	17.8
10	16.80	22.0
12	21.00	26.2
14	25.20	30.4
16	29.40	34.6
18	33.60	38.8
20	37.80	43.0
22	42.00	47.2
24	46.20	51.4

JAWS 兆旭股份有限公司
 JAWS CO., LTD.
 7F., No.31, Ln. 169, Kangning St., Xizhi Dist.,
 New Taipei City 221, Taiwan (R.O.C.)
 TEL: 886-2-2692-2898
 FAX: 886-2-2692-2618
 Http://www.jaws.com.tw

THIRD ANGLE PROJECTION		DESIGN UNITS mm INCH
SIZE: A4	SCALE: FREE	SHEET: 1/1
CPN:		DWG NO.: JAWS-SOP-4420A001
DAN NO.: S10109-024		REV. 02

TITLE: 4.2mm Wafer Dual Rows Right Angle Type (SQ pin)
 PARTS NO.: 4420A-WR-xxT

GENERAL TOLERANCES:	
X.	±0.50
X.X	±0.25
X.XX	±0.20
X.XXX	±0.08

DRAWN	林峻吉	DATE	2012/09/17
CHECKED	<i>Jung</i>	DATE	2012/09/17
APPROVED	<i>Pies</i>	DATE	2012/09/17